

# Little Giant®

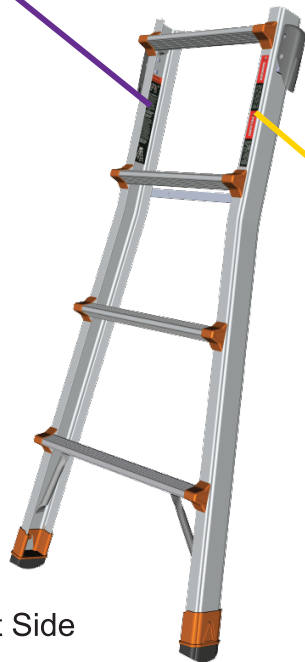
## ALUMINIUM ARTICULATING WITH ROCK LOCKS AND PALM BUTTONS ENG/SPA LABEL LOCATION DRAWING

**8. 82253X x1**  
(place inside left  
channel below rivets)

RATCHET leveler  
models:

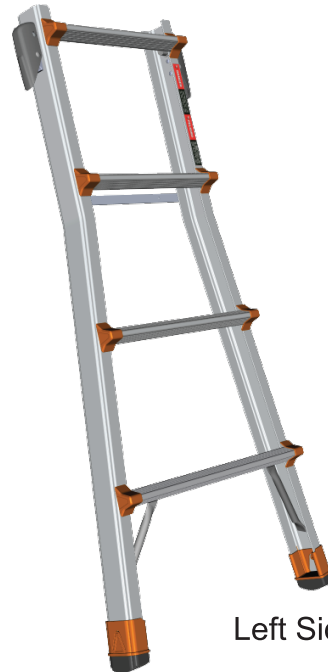


**20. 82279X x1**  
(place between rivets and  
leveler release assembly)



Right Side

**14. 82259X x1**  
(place on flange of right  
side rail, text facing in)



Left Side

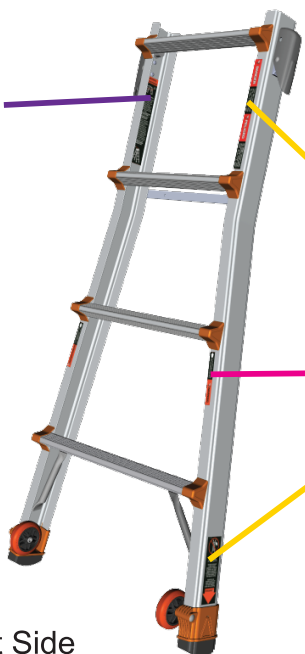
RATCHET leveler  
models:



**21. 82280X x1**  
(place between rivets and  
leveler release assembly)

### M17-M26 Non-wheeled Outer Half

**8. 82253X x1**  
(place inside left  
channel below rivets)



Right Side

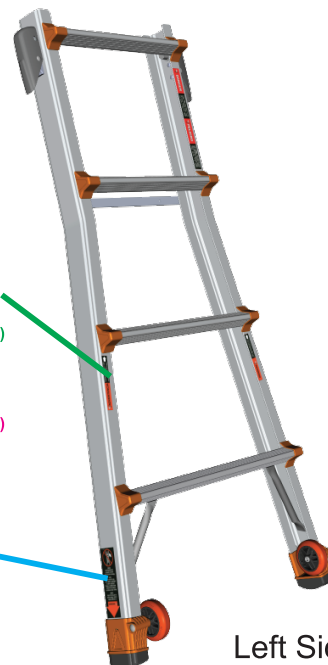
**14. 82259X x1**  
(place on flange of right  
side rail, text facing in)

**13. 82258X x1**  
(place on flange of left side  
rail, arrow toward 2nd rung up)

**12. 82257X x1**  
(place on flange of right side  
rail, arrow toward 2nd rung up)

**19. 82266X x1**  
(place above foot with  
arrow pointing at foot)

**18. 82265X x1**  
(place above foot with  
arrow pointing at foot)

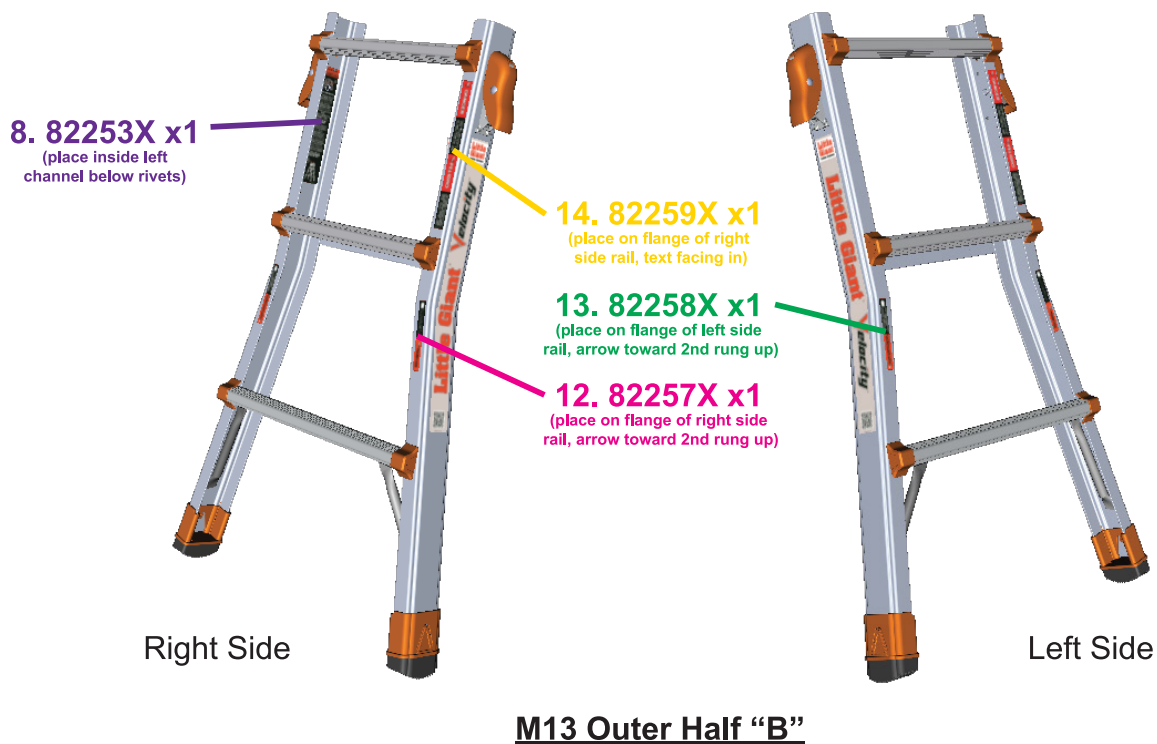
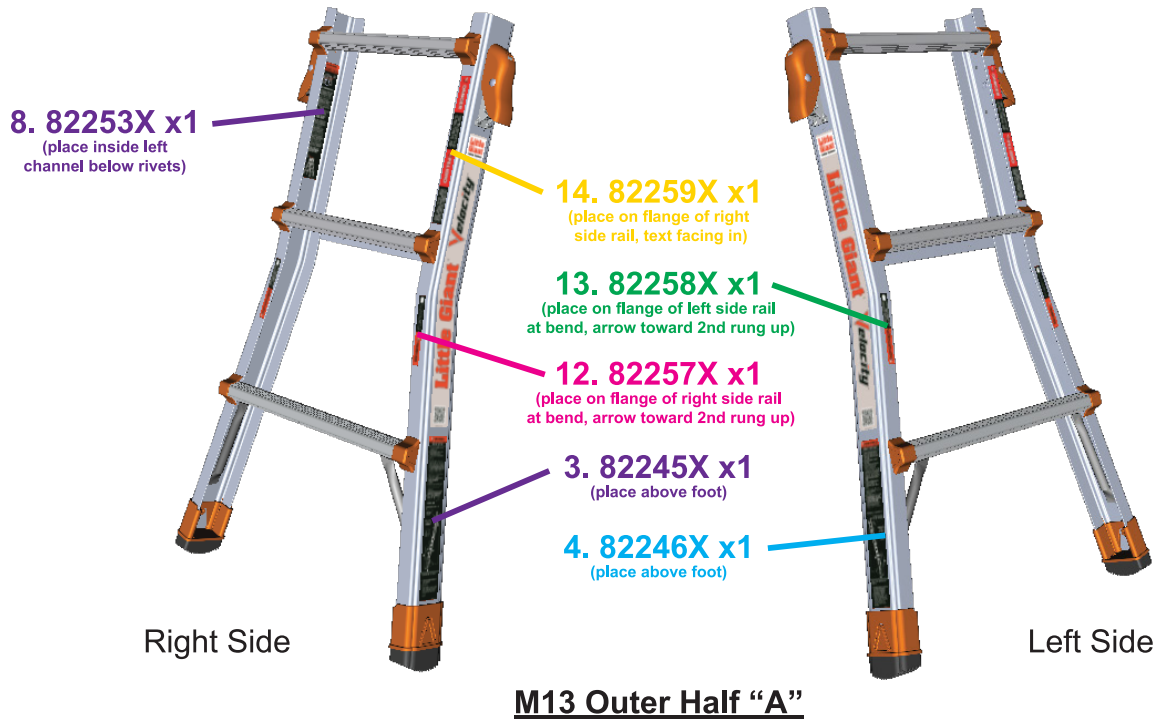


Left Side

### M17-M26 Wheeled Outer Half

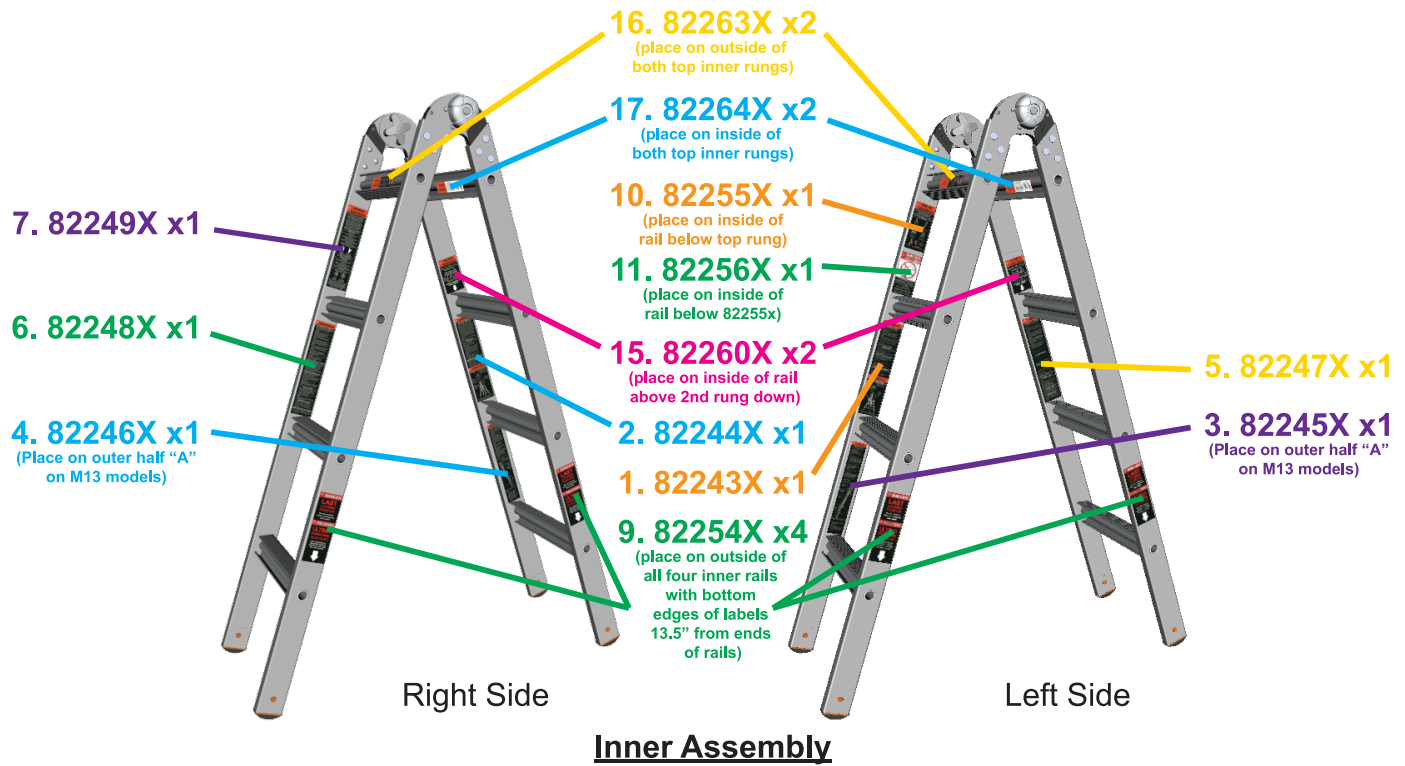
# Little Giant®

## ALUMINIUM ARTICULATING WITH ROCK LOCKS AND PALM BUTTONS ENG/SPA LABEL LOCATION DRAWING



# Little Giant®

## ALUMINIUM ARTICULATING WITH ROCK LOCKS AND PALM BUTTONS ENG/SPA LABEL LOCATION DRAWING



#	P/N	DESCRIPTION	QTY
1	82243X	LABEL, WARNING, PROPER SELECTION, ART. EXT., ENG	x1
2	82244X	LABEL, WARNING, PROPER SELECTION, ART. EXT., SPA	x1
3	82245X	LABEL, WARNING, PROPER SETUP, ART. EXT., ENG	x1
4	82246X	LABEL, WARNING, PROPER SETUP, ART. EXT., SPA	x1
5	82247X	LABEL, WARNING, PROPER USE-GENERAL, ART. EXT., ENG	x1
6	82248X	LABEL, WARNING, PROPER USE-GENERAL, ART. EXT., SPA	x1
7	82249X	LABEL, LOCK WARNING, ROCK LOCK-PALM BUTTON, ENG-SPA	x1
8	82253X	LABEL, WARNING, TRESTLE BRACKET, ENG-SPA	x2
9	82254X	LABEL, DANGER, LAST LOCKING POSITION, ENG-SPA	x4
10	82255X	LABEL, WARNING, LADDER POSITIONS, ART. EXT., ENG-SPA	x1
11	82256X	LABEL, DANGER, ELECTROCUTION HAZARD, ENG-SPA	x1
12	82257X	LABEL, WARNING, DO NOT STAND, STRAIGHT MODE, FLANGE, ENG	x1
13	82258X	LABEL, WARNING, DO NOT STAND, STRAIGHT MODE, FLANGE, SPA	x1
14	82259X	LABEL, WARNING, DANGER, FOLLOW ALL INSTR., FLANGE, ENG-SPA	x2
15	82260X	LABEL, WARNING, DO NOT STAND, STEP MODE, ENG-SPA	x2
16	82263X	LABEL, WARNING, DO NOT USE WITHOUT FLARED OUTER, ENG-SPA	x2
17	82264X	LABEL, WARNING, DO NOT CLIMB THIS SIDE, ART. EXT., ENG-SPA	x2
18	82265X	LABEL, WARNING, ARROW, WHEEL WARNING, ENG	x1
19	82266X	LABEL, WARNING, ARROW, WHEEL WARNING, SPA	x1
		RATCHET Leveler Models Only:	
20	82279X	LABEL, RATCHET LEVELER, WARNING, D-RING, ENG	x1
21	82280X	LABEL, RATCHET LEVELER, WARNING, D-RING, SPA	x1